

PAPER NAME

9. Proseding Jurnal Internasional-Service Quality and Customer Loyalty at.pdf

AUTHOR

Sirajuddin Saleh

WORD COUNT

2697 Words

CHARACTER COUNT

15294 Characters

PAGE COUNT

7 Pages

FILE SIZE

377.5KB

SUBMISSION DATE

Jul 20, 2022 5:39 PM GMT+8

REPORT DATE

Jul 20, 2022 5:40 PM GMT+8**● 11% Overall Similarity**

The combined total of all matches, including overlapping sources, for each database.

- 8% Internet database
- 8% Publications database
- Crossref database
- Crossref Posted Content database
- 10% Submitted Works database

● Excluded from Similarity Report

- Bibliographic material
- Cited material
- Small Matches (Less than 8 words)
- Manually excluded sources

Conference

Service Quality and Customer Loyalty at Grapari

Sitti Hardiyanti Arhas^{1*}, Suprianto Suprianto², Muhammad Darwis¹, Sirajuddin Saleh¹, Jamaluddin Jamaluddin¹ and Muh. Nasrullah¹

¹Department of Office Administration Education, Faculty of Social Science and Law, Universitas Negeri Makassar

²Teacher and Education Science, Universitas Borneo Tarakan

ORCID

Sitti Hardiyanti Arhas: 0000-0001-9688-715X

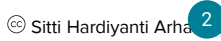
Abstract. Services reach almost all aspects of human life, ranging from government services to private services such as trade, transportation services and communication services using mobile phones. The purpose of this study was to analyze the factors that affect customer satisfaction and customer loyalty. The data collection method used was a questionnaire, which was analyzed using SPSS-Amos. The results showed that service productivity affected consumer loyalty either directly or indirectly. Responsiveness only had a direct effect on customer loyalty. Accountability had an indirect effect on customer loyalty through customer satisfaction. Also, service attitude had a positive and significant effect on customer loyalty either directly or through service quality. The novelty of this study lies in the dimensions used in measuring the variables in service providers.

Keywords: provider, service quality, consumer loyalty

Corresponding Author: Sitti Hardiyanti Arhas; email: hardiyantiarhas@unm.ac.id

Published 15 March 2022

Publishing services provided by Knowledge E

 Sitti Hardiyanti Arhas. This article is distributed under the terms of the Creative Commons Attribution License, which permits unrestricted use and redistribution provided that the original author and source are credited.

Selection and Peer-review under the responsibility of the IAPA Conference Committee.

1. Introduction

Organizations that want to progress and develop are required to have quality human resources. Quality human resources are humans whose performance can achieve work goals or work targets that have been designed in the organization (1). It can be said that humans have an important role in organizations, namely as implementers and movers of the organization. Without human resources, the organization is just a name. However, sometimes human resources are also an obstacle for every organization because not all humans can carry out their duties properly. Things like this will certainly have an impact on the performance of the organization in achieving its goals.

Every human being needs service during his life. Getting service is a basic right for the community (2). Therefore, it is important to pay attention to the services provided to the community. When employee performance is optimized, customers are satisfied with the company which ultimately increases their loyalty and strengthens their trust in the products and services offered by the company. On the other hand, when customer expectations are not met, they are disappointed and have a negative impact on the reputation of the organization.

 OPEN ACCESS

Services reach almost all aspects of human life, starting from government services, private services such as trade, transportation services, including services in terms of communication using mobile phones.

The use of mobile phones is no longer a secondary need for people living in the era of 4.0. But it has become a basic need. It is undeniable that every human activity is often connected to mobile phones from waking up to wanting to sleep again; such as using alarms on mobile phones, ordering food, ordering

transportation, payment transactions, and so on. This has triggered an increase in mobile phone users in Indonesia so that not a few people have more than one cellphone. Usually one is for personal use, one is for work, and some are used for leisure such as playing games, watching videos on various platforms, or listening to music. The increasing number of mobile phone users from day to day triggers the number of provider companies in Indonesia.

Provider companies always provide attractive offers for the community because the competition is so tight. Some companies offer network speed, some offer low prices, some offer lots of bonuses, and some offer door prizes such as cars and houses. This is a consideration for consumers in choosing a provider to facilitate their communication.

One of the most widely used providers in Indonesia is Telkomsel. Telkomsel is a giant provider in Indonesia, not only working with various parties but also the government. This can be seen ¹⁴ during the Covid-19 pandemic, the Government of the Republic of Indonesia through the Minister of Education and Culture Nadiem Makariem trusted Telkomsel to be able to facilitate teaching and learning needs between students and teachers, and between students and lecturers. However, along the way, consumers experience several obstacles related to the facilities provided by Telkomsel, such as the network which is sometimes unstable, the active period expires without any prior notification. This requires Telkomsel to be able to overcome the problems that are often experienced by consumers. ,

Many factors effect customer loyalty as stated by (3) and (4) regarding the effect of productivity on customer loyalty. (5), (6), and (7) regarding the impact of responsibility on customer loyalty. Then research (8), (9), and (10) regarding the effect of accountability on consumer loyalty. Further research by (11), (12), and (13) regarding the effect of attitude on consumer loyalty. Furthermore, the results of (14), (15), (16).

Therefore, this study will analyze employee productivity on customer loyalty either directly or through service quality; the effect of responsiveness on customer loyalty either directly or through service quality; the effect of accountability on customer loyalty either directly or through service quality; attitude towards customer loyalty either directly or through service quality; and the ⁶ direct effect of service quality on customer loyalty.

2. Methods

This study is designed to analyze and develop an empirical research model through causality of variables such as customer loyalty, service quality, productivity, responsiveness, accountability, and employee attitudes. as for the research approach, namely quantitative explanatory. The population in this study were all Grapari customers from January to July 2021. The number of samples selected was 100 people.

The analytical method used in this research is to use path analysis. The main analysis carried out is to test the path construct whether it is empirically tested or not. Further analysis was carried out to find out the **direct and indirect effects of a set of independent variables on the dependent variable**. In addition, **path analysis** is a type of multivariate analysis to study the direct and indirect effects of several variables that are hypothesized as causal variables on other variables called effect variables.

Next, calculate the path coefficient. After the path coefficient is calculated, then hypothesis testing is carried out to prove the independent variable being studied has a significant effect on the dependent variable. However, due to the complexity of calculating the path coefficient, the researcher used the help of the AMOS-SPSS 20 (Statistical Package for Social Science) software. After the model is declared feasible, the next step is hypothesis testing which aims to determine whether there is a significant effect between variables.

3. Results and Discussion

Before analyzing the relationship between variables, it is important to know the feasibility test of the model. The **results of the model feasibility test are presented in Figure 1**.

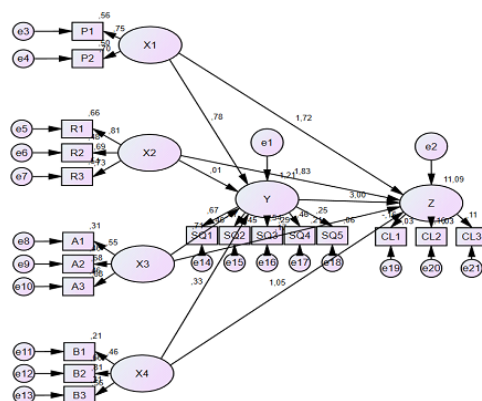


Figure 1: SPSS-Amos Output.

3.1. The Effect of Service Productivity on Customer Loyalty Either Directly or Indirectly Customer Satisfaction

The direct effect of productivity on customer loyalty shows a positive and significant effect (t value of 1.854 and coefficient value of 0.285). This means that every 1 percent increase in service productivity will increase customer loyalty by 0.285 percent. These results are by the initial hypothesis which states that service productivity has a positive and significant effect on customer loyalty.

The indirect effect of service productivity on customer loyalty through customer satisfaction shows a positive and significant effect. The positive and significant effect comes from a positive and significant effect (t value of 4.846 and coefficient value of 0.702) customer productivity on customer satisfaction and then continues with a positive and significant effect (t value of 1.742 and coefficient value of 0.550) customer satisfaction on loyalty customer.

This means that every one percent increase in service productivity will increase 0.702 percent of customer satisfaction. Increased customer satisfaction will then increase customer loyalty by 0.386 (0.702×0.550). These results are by the initial hypothesis which states that service productivity has a positive and significant effect on customer loyalty through customer satisfaction.

By comparing the direct and indirect effect of service productivity on customer loyalty, it can be seen that the existence of customer satisfaction variables strengthens the effect of service productivity on customer loyalty. This indicates the need to increase service productivity so that consumers are satisfied with the services provided, to increase customer loyalty.

3.2. The Effect of Service Responsiveness on Customer Loyalty Directly or Indirectly Customer Satisfaction

The direct effect of responsibility on customer loyalty shows a positive and significant effect (t value of 3.515 and coefficient value of 0.256). This means that every 1 percent increase in service responsibility will increase customer loyalty by 0.256 percent. These results are by the initial hypothesis which states that service responsibility has a positive and significant effect on customer loyalty.

There is no indirect effect of service responsibility on customer loyalty through customer satisfaction. This means that every one percent increase in responsiveness and service quality will not affect consumer loyalty.

3.3. The Effect of Service Accountability on Customer Loyalty Either Directly or Indirectly Customer Satisfaction

The direct effect of service accountability on customer satisfaction shows no effect between variables. This means that any increase in service accountability will not affect customer loyalty. This result is not by the initial hypothesis which states that service accountability has a positive and significant effect on customer loyalty.

The indirect effect of service accountability on customer loyalty through customer satisfaction shows a significant positive effect. The positive and significant effect comes from a positive and significant effect (t value of 4.703 and coefficient value of 0.361) customer productivity on customer satisfaction and then continues with a positive and significant effect (t value of 1.742 and coefficient value of 0.550) customer satisfaction on loyalty customer.

This means that every one percent increase in service accountability will increase 0.702 percent of customer satisfaction. Increased customer satisfaction will then increase customer loyalty by 0.199 (0.361×0.550). These results are by the initial hypothesis which states that service accountability has a positive and significant effect on customer loyalty through customer satisfaction.

By comparing the direct and indirect effects of service accountability on customer loyalty, it can be seen that the existence of customer satisfaction variables strengthens the effect of service accountability on customer loyalty. This indicates the need to improve service accountability so that consumers are satisfied with the services provided, to increase customer loyalty.

3.4. The Effect of Service Attitude on Customer Loyalty, Either Directly or Indirectly Customer Satisfaction

The direct effect of service attitude on customer satisfaction shows a positive and significant effect (t value of 2.064 and coefficient value of 0.166). This means that every 1 percent increase in service attitude will increase customer loyalty by 0.166 percent. These results are by the initial hypothesis which states that service attitude has a positive and significant effect on customer loyalty.

The indirect effect of service attitude on customer loyalty through customer satisfaction shows a significant positive effect. The positive and significant effect comes from a positive and significant effect (t value of 3.118 and coefficient value of 0.281) on customer attitudes towards customer satisfaction and then continues with a positive and significant effect (t value of 1.742 and coefficient value of 0.550) customer satisfaction on loyalty customer.

This means that every one percent increase in service attitude will increase 0.281 percent of customer satisfaction. Increased customer satisfaction will then increase customer loyalty by 0.155 (0.281×0.550). These results are by the initial hypothesis which states that service attitudes have a positive and significant effect on customer loyalty through customer satisfaction.

By comparing the direct and indirect effects of service attitudes on customer loyalty, it can be seen that the existence of customer satisfaction variables strengthens the effect of service accountability on customer loyalty. This indicates the need to improve service account so that consumers are satisfied with the services provided, to increase customer loyalty.

4. Conclusion

Based on the results of data processing, it can be seen that service productivity affects consumer loyalty either directly or indirectly. Responsiveness only has a direct effect on customer loyalty. Accountability only has an indirect effect on customer loyalty through customer satisfaction. Service attitude has a positive and significant effect on customer loyalty either directly or through service quality.

References

- [1] Budhwar P, Tung RL, Varma A, Do H. Developments in human resource management in MNCs from BRICS Nations: A review and future research agenda. *Journal of International Management*. 2017;23(2):111–123. <https://doi.org/https://doi.org/10.1016/j.intman.2017.04.003>
- [2] Suprianto S, Arhas SH, Mahmuddin M, Siagian AO. The effectiveness of online learning amid the COVID-19 pandemic. *Jurnal Ad'ministrare*. 2020;7(2):321–330.
- [3] Wongleedee K. Role of customer loyalty on employee performance and productivity in pharmacy business in Thailand. *Systematic Reviews in Pharmacy*. 2020;11(2):631–641.
- [4] Baumann C, Hoadley S, Hamin H, Nugraha A. Competitiveness vis-à-vis service quality as drivers of customer loyalty mediated by perceptions of regulation and stability in steady and volatile markets. *Journal of Retailing and Consumer Services*. 2017;36:62–74.
- [5] Coelho PS, Henseler J. Creating customer loyalty through service customization. *European Journal of Marketing*. 2012;46(3):331-356

- [6] Pérez A, Del Bosque IR. Corporate social responsibility and customer loyalty: Exploring the role of identification, satisfaction and type of company. *Journal of Services Marketing*. 2015;29(1):15-25
- [7] Gürlek M, Düzgün E, Uygur SM. How does corporate social responsibility create customer loyalty? The role of corporate image. *Social Responsibility Journal*. 2017;13(3):409-427
- [8] Abidin N, Singaravelloo K. The effects of loyalty to accountability and public trust in local government service delivery. *International Journal of Business and Management*. 2018;2(1):1–6.
- [9] Ranson S. Public accountability in the age of neo-liberal governance. *Journal of Education Policy*. 2003;18(5):459–480.
- [10] Lumanaj J, Llesha V. Customer loyalty in commercial banks operating in Albania. *European Journal of Business, Economic and Accountancy*. 2015;3(7):44–52.
- [11] Erkmen E, Hancer M. Do your internal branding efforts measure up? Consumers' response to brand supporting behaviors of hospitality employees. *International Journal of Contemporary Hospitality Management*. 2015;27(5):878-895
- [12] Payne SC, Webber SS. Effects of service provider attitudes and employment status on citizenship behaviors and customers' attitudes and loyalty behavior. *Journal of Applied Psychology*. 2006;91(2):365.
- [13] de Waal A, Van Der Heijden B. Increasing customer loyalty and customer intimacy by improving the behavior of employees. *Journal of Strategy and Management*. 2016;(9)4:492-510
- [14] Mahamad O, Ramayah T. Service quality, customer satisfaction and loyalty: A test of mediation. *International Business Research*. 2010;3(4):72.
- [15] Goyal P, Chanda U. A Bayesian network model on the association between CSR, perceived service quality and customer loyalty in Indian banking industry. *Sustainable Production and Consumption*. 2017;10:50–65. <https://doi.org/https://doi.org/10.1016/j.spc.2016.12.001>
- [16] Shi Y, Prentice C, He W. Linking service quality, customer satisfaction and loyalty in casinos, does membership matter? *International Journal of Hospitality Management*. 2014;40:81–91. <https://doi.org/https://doi.org/10.1016/j.ijhm.2014.03.013>

● **11% Overall Similarity**

Top sources found in the following databases:

- 8% Internet database
- Crossref database
- 10% Submitted Works database
- 8% Publications database
- Crossref Posted Content database

TOP SOURCES

The sources with the highest number of matches within the submission. Overlapping sources will not be displayed.

1	Trident University International on 2022-07-06 Submitted works	1%
2	hal-pasteur.archives-ouvertes.fr Internet	1%
3	Mont Blanc Palace on 2019-11-03 Submitted works	1%
4	Industrial Management & Data Systems, Volume 110, Issue 9 (2010-11... Publication	<1%
5	Mingyao Hu, Peggy E Chaudhry, Sohail S Chaudhry. "Linking customize... Crossref	<1%
6	tandfonline.com Internet	<1%
7	thepharmajournal.com Internet	<1%
8	LL DIKTI IX Turnitin Consortium Part IV on 2021-11-12 Submitted works	<1%

9	Arts, Sciences & Technology University In Lebanon on 2018-09-24	<1%
	Submitted works	
10	scilit.net	<1%
	Internet	
11	Sheila Simsarian Webber, Stephanie C. Payne, Aaron B. Taylor. "Person...	<1%
	Crossref	
12	Subrahmanyam Annamdevula, Raja Shekhar Bellamkonda. "The effect...	<1%
	Crossref	
13	The Hong Kong Polytechnic University on 2019-07-09	<1%
	Submitted works	
14	Taylor's Education Group on 2021-12-04	<1%
	Submitted works	
15	The Hong Kong Polytechnic University on 2005-10-24	<1%
	Submitted works	
16	University of Portsmouth on 2020-04-30	<1%
	Submitted works	

● Excluded from Similarity Report

- Bibliographic material
- Small Matches (Less than 8 words)
- Cited material
- Manually excluded sources

EXCLUDED SOURCES

knepublishing.com	95%
Internet	
Sitti Hardiyanti Arhas, Suprianto Suprianto, Muhammad Darwis, Sirajuddin Sal...	95%
Crossref	
Eastern Illinois University on 2007-09-20	10%
Submitted works	
Eastern Illinois University on 2007-09-18	10%
Submitted works	
Andriani Kusumawati, Karisma Sri Rahayu. "The effect of experience quality o...	8%
Crossref	
Higher Education Commission Pakistan on 2013-01-03	8%
Submitted works	
repository.ub.ac.id	8%
Internet	
Higher Education Commission Pakistan on 2013-01-11	7%
Submitted works	
Higher Education Commission Pakistan on 2013-01-11	7%
Submitted works	
Hyun Jeong Kim. "Service Orientation, Service Quality, Customer Satisfaction, ...	7%
Crossref	

Segi University College on 2020-06-23	7%
Submitted works	
Higher Education Commission Pakistan on 2013-01-08	7%
Submitted works	
jurnal.unismuhpalu.ac.id	6%
Internet	
Rino Ardhian Nugroho, Annisaa Nurlaila Imania, Annisa Alya Rahmawati. "Pub...	6%
Crossref	
Universitas Brawijaya on 2022-03-23	5%
Submitted works	
researchgate.net	5%
Internet	
koreascience.kr	5%
Internet	
koreascience.or.kr	5%
Internet	
Leeds Trinity and All Saints on 2022-04-04	5%
Submitted works	
atlantis-press.com	5%
Internet	
mdpi.com	4%
Internet	
Morita Dwi Tinaningsih, Ismi Dwi Astuti Nurhaeni, An Nisa Fithri, Ni Putu Sri H...	4%
Crossref	

University of South Australia on 2007-02-19	4%
Submitted works	
Aulia Suminar Ayu, Novita Haryono, Andrine Prima Afnetta Arzil. "Post-Truth a...	4%
Crossref	
The Hong Kong Polytechnic University on 2007-03-03	4%
Submitted works	
The Hong Kong Polytechnic University on 2007-02-20	4%
Submitted works	
Florentina Ratih Wulandari, Bambang Supriyono, Mujibur Rahman K. Muluk, E...	4%
Crossref	
Delly Mustafa, A. Muhammad Fajar Maulana, Risma Niswaty, Burhanuddin Bu...	4%
Crossref	
University of Greenwich on 2022-07-07	4%
Submitted works	
Septyanto Galan Prakoso, Abyan Ardan Wijaya, Ferdian Ahya Al Putra. "Indone...	4%
Crossref	
Kikin Windhani, Tri Mulyaningsih, Fajar Hardoyono. "Distribution of Human Ca...	4%
Crossref	
Azulla Zamzam, Sri Hastjarjo, Yulius Slamet. "Communication Strategy of Dire...	4%
Crossref	
Ni Putu Tirka Widanti, Luh Risna Supria Dewi. "Implementation of Klungkung ...	4%
Crossref	
Irna Irmalina Daud, Asep Sumaryana, Heru Nurasa, Elisa Susanti. "Electronic D...	4%
Crossref	

I Mukhlis, T H Simanjuntak, T Prasetyo. "The Analysis of the Bank Interest Infl...	4%
Crossref	
helix.dnares.in	4%
Internet	
Ali Asghar Anvary Rostamy. "TOWARD UNDERSTANDING CONFLICTS BETWE...	4%
Crossref	
University of Hong Kong on 2006-12-12	3%
Submitted works	
University of South Australia on 2006-05-06	3%
Submitted works	
Po-Tsang Chen, Hsin-Hui 'Sunny' Hu. "The mediating role of relational benefit ...	3%
Crossref	
Ming-Ren Chiou, Shih-Liang Chao, Hsin-Yu Hsieh. "The moderating role of ser...	3%
Crossref	
Universitas Diponegoro on 2021-04-10	3%
Submitted works	
Universitas Diponegoro on 2021-04-09	3%
Submitted works	
journals.sagepub.com	3%
Internet	
journalajeba.com	3%
Internet	
Wadiyo ., Udi Utomo, Slamet Haryono. "Elementary School Students' Creativity...	3%
Crossref	

dosen.upi-yai.ac.id	3%
Internet	
The Robert Gordon University on 2010-09-29	3%
Submitted works	
Tsabit Azinar Ahmad, Nurdian Susilowati, Edi Subkhan, Syaiful Amin. "Historio...	2%
Crossref	
Tommi Yuniawan, Fathur Rokhman, Rustono ., Amin Retnoningsih. "Conservat...	2%
Crossref	
P Handayati, B Eko Soetjipto, S E A Alhaleh. "Comparative Study Level of CSR ...	2%
Crossref	
Bunsho Ohtani, Akio Nitta, Mai Takase, Mai Takashima. "Identification and De...	2%
Crossref	
H-H Lin, Y-Y Huang, Y-C Ko, Y-T Chen. "Development of New Products by DEM...	2%
Crossref	
Yan Mujiyanto, Sri Wuli Fitriati. "Multimodality in Audio-Verbo-Visual Translati...	2%
Crossref	
Tri Joko Raharjo, Harianingsih .. "The Effect of Motivation and Team Dynamic ...	2%
Crossref	
Wasino Wasino, Endah Sri Hartatik. "Rice Policy in Java from Traditional King...	2%
Crossref	
Suharyanto Suharyanto, Nyoman Ngurah Arya, Putu Sutami. "Knowledge, Attit...	2%
Crossref	
Simon Musgrave. "Digital Humanities: New Tools and New Knowledge", KnE S...	2%
Crossref	

Iman Setiono, Murni ., Rtd Wisnu Broto. "Production of Biodiesel from Palm Oi...	2%
Crossref	
A Rusliana, H Atmajaya, A Kurniati, D Hikmat Ramdhan. "Analysis of the Risk ...	2%
Crossref	
School of Business and Management ITB on 2019-05-07	2%
Submitted works	
School of Business and Management ITB on 2019-05-07	2%
Submitted works	
. . . "Preface", KnE Social Sciences, 2018	2%
Crossref	
University of Derby on 2020-05-20	2%
Submitted works	
Jamal Faisal Hamad. "Fallujah Administration during the British Occupation a...	2%
Crossref	
. . . "Preface", KnE Life Sciences, 2019	2%
Crossref	
kne-publishing.com	2%
Internet	
Turiba University on 2020-11-17	2%
Submitted works	
sysrevpharm.org	2%
Internet	
Higher Education Commission Pakistan on 2022-05-15	2%
Submitted works	

London School of Economics and Political Science on 2008-09-10	1%
Submitted works	
Auckland University of Technology on 2007-10-23	1%
Submitted works	
Grenoble Ecole Management on 2015-10-16	1%
Submitted works	
South Bank University on 2012-03-16	1%
Submitted works	
University of Leicester on 2014-08-22	1%
Submitted works	
eprajournals.com	1%
Internet	
ojs.unm.ac.id	<1%
Internet	
Ririn Tri Ratnasari, Sri Gunawan, Moh Qudzi Fauzi, Dina Fitriasia Septiarini. "Pat...	<1%
Crossref	
repository.unair.ac.id	<1%
Internet	
toad.halileksi.net	<1%
Internet	
ojs.excelingtech.co.uk	<1%
Internet	
University of Portsmouth on 2020-04-30	<1%
Submitted works	

University of Greenwich on 2016-04-11

Submitted works

<1%

University of the Netherland Antilles on 2010-10-24

Submitted works

<1%

University of the Netherland Antilles on 2010-08-15

Submitted works

<1%